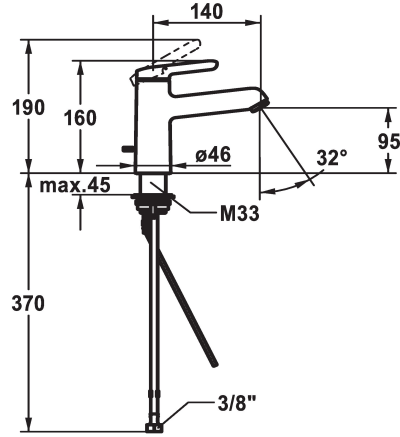


KWC WAMAS 2.0 Lever mixer - Basin - CoolFix

Modell-Linie: WAMAS 2.0 | 12.478.032.000FLGE
Taps | Manual taps



KWC-No.

125154

chromeline, A 140, flexible connection hoses, without pop-up valve, with bar

- * Lever mixer
- * CoolFix - Cold water flow with a centered lever
- * EcoProtect - water-saving device
- * Fixed spout
- Neoperl® Perlator® SSR, swivelling jet regulator
- * KWC cartridge M 35 OP
- with ceramic discs

- flow rate and temperature continuously variable
- temperature limitation
- * Flexible connection hoses 3/8"
- * QuickInstallation - Fastening via threaded connection with locking screws
- * Mounting hole size ø35 mm

Technical Data

Flow rate
Pop-up_valve
Connection
Spout
Handling
Color code
Installation_type
Faucet_typ
Dimension Height
Energysaving
Acoustic group
Projection_A
Energy Label
Dimension Water outlet
material

5 l/min (3 bar)
without pop-up valve, with bar
Flexible connection hoses
fixed
top lever
chrome
Pillar installation
Faucet
160
Coolfix
Battery1
A 140
A
95
Brass

