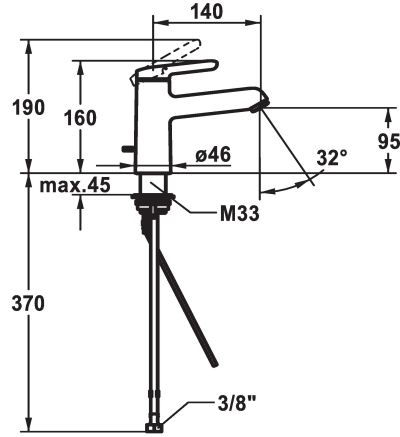


KWC WAMAS 2.0

Lever mixer - Basin - CoolFix

Modell-Linie: WAMAS 2.0 | 12.478.032.000FLGE

Taps | Manual taps



KWC-No.

125154

chromeline, A 140, flexible connection hoses, without pop-up valve, with bar

- * Lever mixer
- * CoolFix - Cold water flow with a centered lever
- * EcoProtect - water-saving device
- * Fixed spout
- Neoperl® Perlator® SSR, swivelling jet regulator
- * KWC cartridge M 35 OP
- with ceramic discs

- flow rate and temperature continuously variable
- temperature limitation
- * Flexible connection hoses 3/8"
- * QuickInstallation - Fastening via threaded connection with locking screws
- * Mounting hole size ø35 mm

Technical Data

Flow rate	5 l/min (3 bar)
pop-up assembly	without pop-up valve, with bar
Connection	Flexible connection hoses
Spout	fixed
Handling	top lever
Color code	chromeline
Installation type	Pillar installation
Faucet_typ	Faucet
Dimension Height	160
Energysaving	Coolfix
Acoustic group	yes
Projection A	A 140
Energy label	A
Dimension Water outlet	95
material	Brass

