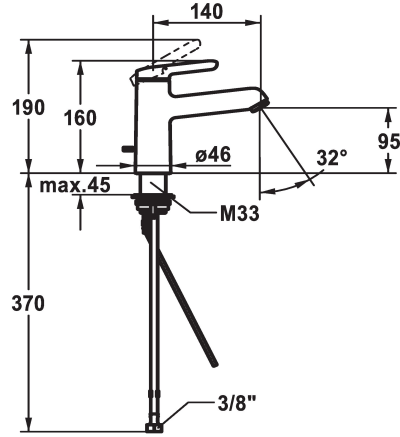


## KWC WAMAS 2.0 Lever mixer - Basin - CoolFix

Modell-Linie: WAMAS 2.0 | 12.478.032.000FLGE  
Taps | Manual taps



### KWC-No.

**125154**

chromeline, A 140, flexible connection hoses, without pop-up valve, with bar

- \* Lever mixer
- \* CoolFix - Cold water flow with a centered lever
- \* EcoProtect - water-saving device
- \* Fixed spout
- Neoperl® Perlator® SSR, swivelling jet regulator
- \* KWC cartridge M 35 OP
- with ceramic discs

- flow rate and temperature continuously variable
- temperature limitation
- \* Flexible connection hoses 3/8"
- \* QuickInstallation - Fastening via threaded connection with locking screws
- \* Mounting hole size ø35 mm

### Technical Data

Flow rate
pop-up valve
Connection
Spout
Handling
Color code
Installation type
Faucet_typ
Measure Height
Energysaving
Acoustic group
Projection A
Energy label
Dimension Water outlet
material

5 l/min (3 bar)
without pop-up valve, with bar
Flexible connection hoses
fixed
top lever
chromeline
Pillar installation
Faucet
160
Coolfix
yes
A 140
A
95
Brass

