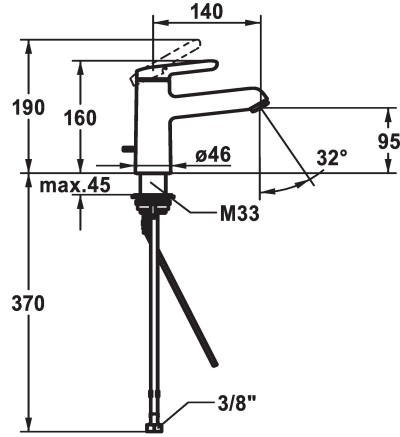


KWC WAMAS 2.0

Lever mixer - Basin - CoolFix

Modell-Linie: WAMAS 2.0 | 12.478.032.000FLGE

Armatura umywalkowa | Armatura jednouchwytowa



KWC-No.

125154

chromeline, A 140, flexible connection hoses, without pop-up valve, with bar

- * Lever mixer
- * CoolFix - Cold water flow with a centered lever
- * EcoProtect - water-saving device
- * Fixed spout
- Neoperl® Perlator® SSR, swivelling jet regulator
- * KWC cartridge M 35 OP
- with ceramic discs

- flow rate and temperature continuously variable
- temperature limitation
- * Flexible connection hoses 3/8"
- * QuickInstallation - Fastening via threaded connection with locking screws
- * Mounting hole size ø35 mm

Dane techniczne

A_Spout_Spray
ATT-KWC-ABLAUFGARNITUR
Connection
ATT-KWC-AUSLAUF
Handling
ATT-KWC-FARBCODE
Installation_type
Faucet_typ
Dimension Height
ATT-KWC-ENERGIESPAREN
G_Acoustic group
Projection_A
EnergyLabelCH
ATT-KWC-MASS-WASSERAUSTRITT
Material

5 l/min (3 bar)
ohne_Ablaufgarnitur_mit_Gest.
Flexible_Anschlusschläuche
fest
topbedient
chromeline
Standmontage
01
160
Coolfix
1
A140
A
95
Mosiqdz

