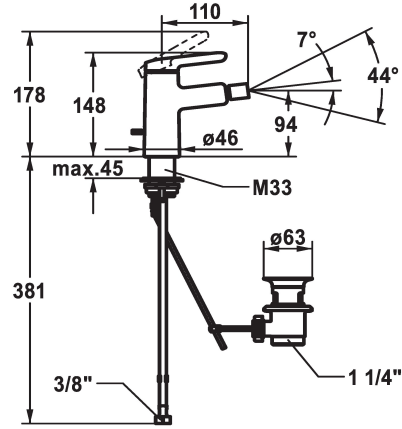
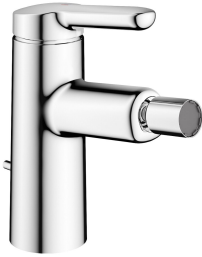


KWC WAMAS 2.0 Lever mixer - Bidet

Modell-Linie: WAMAS 2.0 | 13.478.041.000FL
Umyvadlové armatury | Hydraulické armatury



KWC-No.

125162

chromeline, A 110, flexible connection hoses, with pop-up valve

- * Lever mixer
- * EcoProtect - water-saving device
- * Fixed spout
- ball joint aerator Neoperl® Caché®
- * KWC cartridge M 35 OP
- with ceramic discs
- flow rate and temperature continuously variable

- temperature limitation
- * Flexible connection hoses 3/8"
- * QuickInstallation - Fastening via threaded connection with locking screws
- * Mounting hole size ø35 mm
- * Scope of delivery:
- KWC pop-up valve Z.538.581.000

Technické údaje

A_Spout_Spray

ATT-KWC-ABLAUFGARNITUR

Connection

ATT-KWC-AUSLAUF

Handling

ATT-KWC-FARBCODE

Installation_type

Faucet_typ

Measure_Height

G_Acoustic group

Projection_A

EnergyLabelCH

ATT-KWC-MASS-WASSERAUSTRITT

Materiál

5 l/min (3 bar)

mit_Ablaufgarnitur

Flexible_Anschlusschläuche

fixovaná

topbedient

chromeline

Standmontage

01

148

yes

A110

A

94

mosaz

