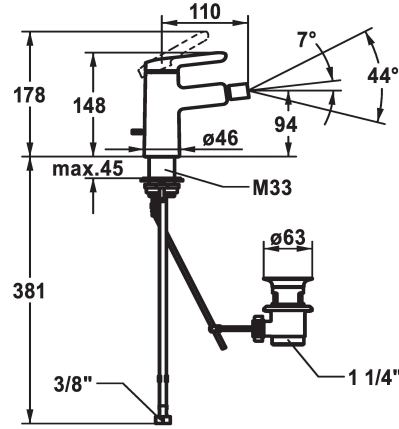
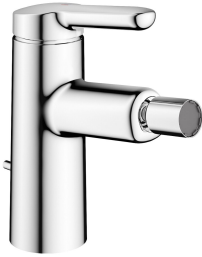


KWC WAMAS 2.0 Lever mixer - Bidet

Modell-Linie: WAMAS 2.0 | 13.478.041.000FL
Taps | Manual taps



KWC-No.

125162

chromeline, A 110, flexible connection hoses, with pop-up valve

- * Lever mixer
- * EcoProtect - water-saving device
- * Fixed spout
 - ball joint aerator Neoperl® Caché®
- * KWC cartridge M 35 OP
 - with ceramic discs
 - flow rate and temperature continuously variable

- temperature limitation
- * Flexible connection hoses 3/8"
- * QuickInstallation - Fastening via threaded connection with locking screws
- * Mounting hole size ø35 mm
- * Scope of delivery:
 - KWC pop-up valve Z.538.581.000

Technical Data

Flow rate
pop-up assembly
Connection
Spout
Handling
Color code
Installation type
Faucet_typ
Dimension Height
Acoustic group
Projection A
Energy label
Dimension Water outlet
material

5 l/min (3 bar)
with pop-up valve
Flexible connection hoses
fixed
top lever
chromeline
Pillar installation
Faucet
148
yes
A 110
A
94
Brass

