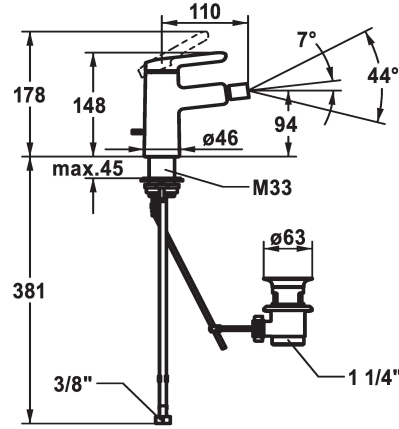
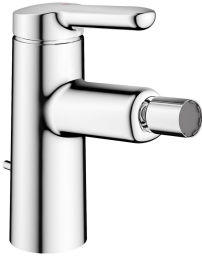


## KWC WAMAS 2.0 Lever mixer - Bidet

Modell-Linie: WAMAS 2.0 | 13.478.041.000FL  
Taps | Manual taps



### KWC-No.

**125162**

chromeline, A 110, flexible connection hoses, with pop-up valve

- \* Lever mixer
- \* EcoProtect - water-saving device
- \* Fixed spout
  - ball joint aerator Neoperl® Caché®
- \* KWC cartridge M 35 OP
  - with ceramic discs
  - flow rate and temperature continuously variable

- temperature limitation
- \* Flexible connection hoses 3/8"
- \* QuickInstallation - Fastening via threaded connection with locking screws
- \* Mounting hole size ø35 mm
- \* Scope of delivery:
  - KWC pop-up valve Z.538.581.000

### Technical Data

Flow rate
pop-up valve
Connection
Spout
Handling
Color code
Installation type
Faucet_typ
Measure Height
Acoustic group
Projection A
Energy label
Dimension Water outlet
material

5 l/min (3 bar)
with pop-up valve
Flexible connection hoses
fixed
top lever
chromeline
Pillar installation
Faucet
148
yes
A 110
A
94
Brass

