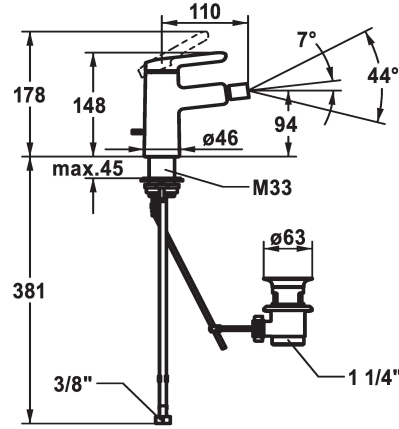
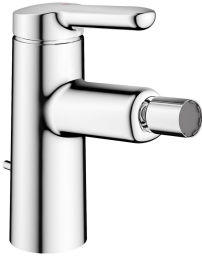


KWC WAMAS 2.0 Lever mixer - Bidet

Modell-Linie: WAMAS 2.0 | 13.478.041.000FL
Kranar | Hydraulické armatúry



KWC-No.

125162

chromeline, A 110, flexible connection hoses, with pop-up valve

- * Lever mixer
- * EcoProtect - water-saving device
- * Fixed spout
- ball joint aerator Neoperl® Caché®
- * KWC cartridge M 35 OP
- with ceramic discs
- flow rate and temperature continuously variable

- temperature limitation
- * Flexible connection hoses 3/8"
- * QuickInstallation - Fastening via threaded connection with locking screws
- * Mounting hole size ø35 mm
- * Scope of delivery:
- KWC pop-up valve Z.538.581.000

Technical Data

A_Spout_Spray
ATT-KWC-ABLAUFGARNITUR
Connection
ATT-KWC-AUSLAUF
Handling
ATT-KWC-FARBCODE
Installation_type
Faucet_typ
Measure_Height
G_Acoustic group
Projection_A
EnergyLabelCH
ATT-KWC-MASS-WASSERAUSTRITT
Material

5 l/min (3 bar)
mit_Ablaufgarnitur
Flexible_Anschlussschläuche
fest
topbedient
chromeline
Standmontage
01
148
1
A110
A
94
Mässing

