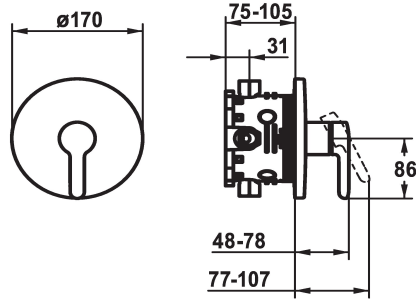


KWC WAMAS 2.0 Trim kit - Lever mixer - Shower

Modell-Linie: WAMAS 2.0 | 21.474.500.000
Duschar | Hydraulické sprchy



KWC-No.

125171
chromeline, Trim kit

- * Trim kit with function unit
- * Outflow top or below
- * KWC cartridge M 35 H
- with ceramic discs
- flow rate and temperature continuously variable
- * Scope of delivery:

- Function unit, lever, cap, sleeve, cover plate, holder for escutcheon
- Fastening of the cover plate without screws
- * To be ordered separately:
- Unit for concealed installation KWC BLUEBOX®
- ½", without shut-off valve, 39.999.900.931
- ¾" (½"), with shut-off valve, 39.999.910.931

Technical Data

ATT-KWC-A_ABGANG_UP

Diameter

Handling

ATT-KWC-FARBCODE

Installation_type

Faucet_typ

G_Acoustic group

ATT-KWC-UNTERPUTZ

EnergyLabelCH

Material

19 l/min (3 bar)

D170

frontbedient

chromeline

Vägghmontering

01

1

FM-Set

C

Måssing

