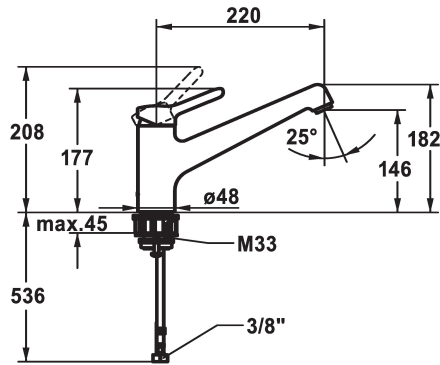


KWC WAMAS 2.0 Lever mixer - Kitchen

Modell-Linie: WAMAS 2.0 | 10.471.022.000FL
Umyvadlové armatury | Hydraulické armatury



KWC-No.

125176
chromeline, A 220, flexible connection hoses

- * Lever mixer
- * Swivel spout 160°
- Neoperl® Perlator® SJR, swivelling jet regulator
- * OptimalSpace - ample space for washing or working
- * KWC cartridge M 35 H
- with ceramic discs

- flow rate and temperature continuously variable
- * Flexible connection hoses 3/8"
- * QuickInstallation - Fastening via threaded connection with locking screws
- * Mounting hole size ø35 mm

Technické údaje

A_Spout_Spray
Connection
ATT-KWC-AUSLAUF
Handling
ATT-KWC-FARBCODE
Installation_type
Faucet_typ
Measure_Height
G_Acoustic_group
Projection_A
EnergyLabelCH
ATT-KWC-MASS-WASSERAUSTRITT
Materiál

12 l/min (3 bar)
Flexible_Anschlusschläuche
schwenkbar
topbedient
chromeline
Standmontage
Hebelmischer
177
I
A220
B
146
mosaz



Náhradní díly





KWC WAMAS 2.0
Lever mixer - Kitchen

Modell-Linie: WAMAS 2.0 | 10.471.022.000FL
Umyvadlové armatury | Hydraulické armatury

Cartridge M 35 H

538327
Z.537.582
