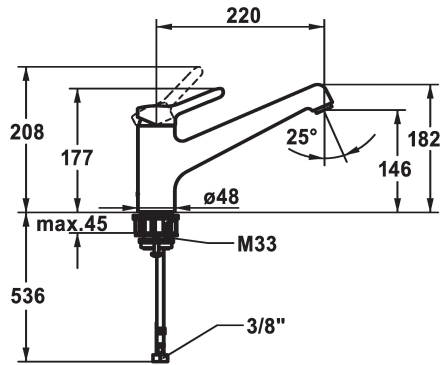


## KWC WAMAS 2.0 Lever mixer - Kitchen

Modell-Linie: WAMAS 2.0 | 10.471.022.000FL  
Taps | Manual taps



### KWC-No.

**125176**

chromeline, A 220, flexible connection hoses

- \* Lever mixer
- \* Swivel spout 160°
- Neoperl® Perlator® SJR, swivelling jet regulator
- \* OptimalSpace - ample space for washing or working
- \* KWC cartridge M 35 H
- with ceramic discs

- flow rate and temperature continuously variable
- \* Flexible connection hoses 3/8"
- \* QuickInstallation - Fastening via threaded connection with locking screws
- \* Mounting hole size ø35 mm

### Technical Data

Flow rate
Connection
Spout
Handling
Color code
Installation type
Faucet_typ
Measure Height
Acoustic group
Projection A
Energy label
Dimension Water outlet
material

12 l/min (3 bar)
Flexible connection hoses
swivel
top lever
chromeline
Pillar installation
Lever mixer
177
I
A 220
B
146
Brass



### Spare Parts





**KWC** WAMAS 2.0  
Lever mixer - Kitchen

**Modell-Linie: WAMAS 2.0 | 10.471.022.000FL**  
Taps | Manual taps

**Cartridge M 35 H**

---

**538327**  
Z.537.582

---