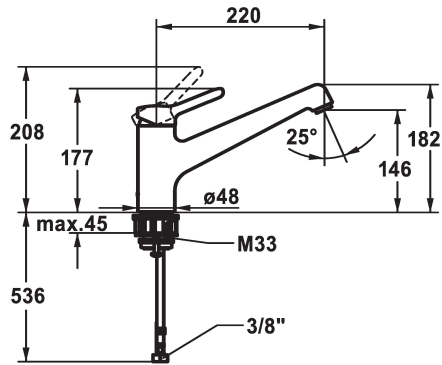


## KWC WAMAS 2.0 Lever mixer - Kitchen

Modell-Linie: WAMAS 2.0 | 10.471.022.000FL  
Hanat | Käsi­käyt­toiset hanat



### KWC-No.

**125176**  
chromeline, A 220, flexible connection hoses

- \* Lever mixer
- \* Swivel spout 160°
- Neoperl® Perlator® SJR, swivelling jet regulator
- \* OptimalSpace - ample space for washing or working
- \* KWC cartridge M 35 H
- with ceramic discs

- flow rate and temperature continuously variable
- \* Flexible connection hoses 3/8"
- \* QuickInstallation - Fastening via threaded connection with locking screws
- \* Mounting hole size ø35 mm

### Tekniset tiedot

A_Spout_Spray
Connection
Spout
Handling
ATT-KWC-FARBCODE
Installation_type
Faucet_typ
Measure_Height
G_Acoustic_group
Projection_A
EnergyLabelCH
ATT-KWC-MASS-WASSERAUSTRITT
Materiaali
IviCode

12 l/min (3 bar)
Flexible_Anschluss­schläuche
schwenkbar
topbedient
chromeline
Standmontage
01
177
yes
A220
B
146
Messinki
0

