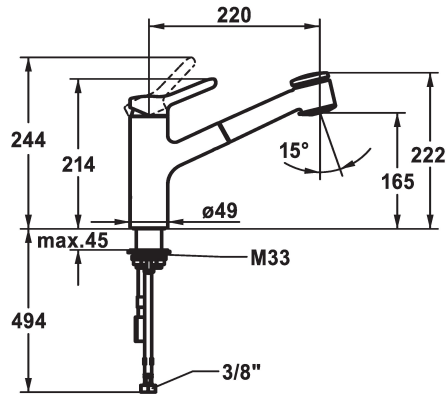


KWC WAMAS 2.0 Lever mixer - Kitchen

Modell-Linie: WAMAS 2.0 | 10.471.032.000FL
Umyvadlové armatury | Hydraulické armatury



KWC-No.

125178
chromeline, A 220, flexible connection hoses

- * Lever mixer
- * TouchProtect - anti-scald protection thanks to the "double skin" principle
- * Intrinsicly safe against backflow
- * Pull-out spray
 - SprayClean - easy to clean and actively prevents limescale buildup
 - up to 600 mm pull-out length
 - hose surface to fit faucet surface
- QuickConnect - Simple hose connection system

- * Hose guide, swivelling 130°
- * EasyLock - a pull-out spray that easily slides back into place
- * OptimalSpace - ample space for washing or working
- * KWC cartridge M 35 H
 - with ceramic discs
 - flow rate and temperature continuously variable
- * Flexible connection hoses 3/8"
- * QuickInstallation - Fastening via threaded connection with locking screws
- * Mounting hole size ø35 mm

Technické údaje

ATT-KWC-A_AUSZUGBRAUSE_SIEB	10 l/min (3 bar)
ATT-KWC-A_AUSZUGBRAUSE_NORMAL	10 l/min (3 bar)
Connection	Flexible_Anschlussschläuche
ATT-KWC-AUSLAUF	schwenkbar
Handling	topbedient
Kitchen_spray	Auszugbrause
ATT-KWC-FARBCODE	chromeline
Installation_type	Standmontage
Faucet_typ	01
Measure_Height	214
G_Acoustic group	2
Projection_A	A220
EnergyLabelCH	B
ATT-KWC-MASS-WASSERAUSTRITT	165
Materiál	mosaz

