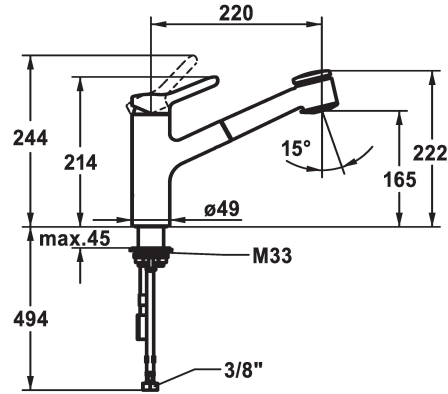


## KWC WAMAS 2.0 Lever mixer - Kitchen

Modell-Linie: WAMAS 2.0 | 10.471.032.000FL  
Taps | Manual taps



### KWC-No.

**125178**  
chromeline, A 220, flexible connection hoses

- \* Lever mixer
- \* TouchProtect - anti-scald protection thanks to the "double skin" principle
- \* Intrinsicly safe against backflow
- \* Pull-out spray
  - SprayClean - easy to clean and actively prevents limescale buildup
  - up to 600 mm pull-out length
  - hose surface to fit faucet surface
  - QuickConnect - Simple hose connection system

- \* Hose guide, swivelling 130°
- \* EasyLock - a pull-out spray that easily slides back into place
- \* OptimalSpace - ample space for washing or working
- \* KWC cartridge M 35 H
  - with ceramic discs
  - flow rate and temperature continuously variable
- \* Flexible connection hoses 3/8"
- \* QuickInstallation - Fastening via threaded connection with locking screws
- \* Mounting hole size ø35 mm

### Technical Data

Flow rate needle spray	10 l/min (3 bar)
Flow rate normal spray	10 l/min (3 bar)
Connection	Flexible connection hoses
Spout	swivel
Handling	top lever
Kitchen_spray	Pull-out spray
Color code	chrome
Installation_type	Pillar installation
Faucet_typ	Faucet
Dimension Height	214
Acoustic group	Mains receiver1
Projection_A	A 220
Energy Label	B
Dimension Water outlet	165
material	Brass

