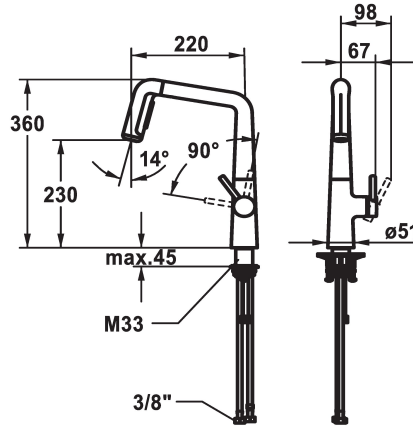


## KWC KIO Lever mixer - Kitchen

Modell-Linie: KIO | 10.481.002.176FL  
Taps | Manual taps



### KWC-No.

**125202**  
chromeline, A 220, flexible connection hoses

**125203**  
matt black, A 220, flexible connection hoses

**125204**  
decor steel, A 220, flexible connection hoses

### Color code

chromeline

matt black

decor steel

- \* Lever mixer
- \* Lever installation only possible on the right side
- Child safety: cold water flow in lever position towards the front
- \* gap between wall and centre of mounting hole min. 26 mm
- \* TouchProtect - anti-scald protection thanks to the "double skin" principle
- \* Pull-out spray ergonomic spout alignment, shape and handling
- SprayClean - easy to clean and actively prevents limescale buildup
- Neoperl® Perlator® laminar
- PowerClean - needle spray mode, with automatic diverter reset
- up to 500 mm pull-out length

- \* Hose guide, swivelling 150°, can be extended to 360°
- \* EasyLock - a pull-out spray that easily slides back into place
- \* OptimalSpace - ample space for washing or working
- \* KWC cartridge M 35 S
- with ceramic discs
- flow rate and temperature continuously variable
- \* Flexible connection hoses 3/8"
- \* QuickInstallation - Fastening via threaded connection with locking screws
- \* Mounting hole size ø35 mm
- \* To be ordered separately (optional or if necessary):
- Swivel range limited to 120°, Z.538.320

### Technical Data

Flow rate needle spray

9 l/min (3 bar)

Flow rate normal spray

10 l/min (3 bar)

Connection

Flexible connection hoses

Spout

swivel

Handling

side lever

Kitchenspray

Pull-out spray

Color code

matt black

Installation type

Pillar installation

Faucet\_typ

Lever mixer

Design

L-Spout

Dimension Height

360

Acoustic group

I

Projection A

A 220

Energy label

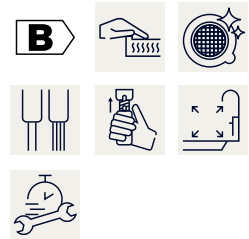
B

Dimension Water outlet

230

material

Brass



### Spare Parts

**KWC** KIO  
Lever mixer - Kitchen

**Modell-Linie: KIO | 10.481.002.176FL**  
Taps | Manual taps



**Wrench to KIO pull-out spray**

---

**538810**  
Z.538.810

---