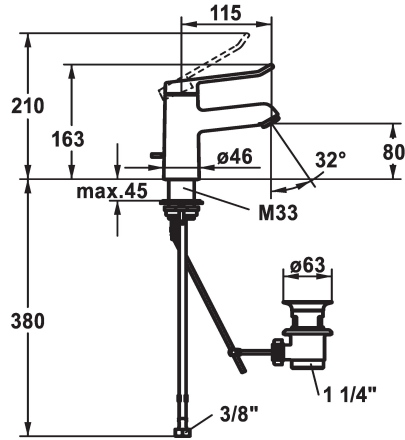


## KWC VITA 2.0 Lever mixer - Basin

Modell-Linie: VITA 2.0 | 12.518.041.000FL  
Taps | Manual taps



### KWC-No.

**125212**  
chromeline, A 120, flexible connection hoses, with pop-up valve

**125213**  
chromeline, A 120, flexible connection hoses, without pop-up valve

- \* Lever mixer
- \* EcoProtect - water-saving device
- \* Fixed spout
  - Neoperl® Perlator® laminar
- \* KWC cartridge with safety device M 35 OP
  - with ceramic discs
  - flow rate and temperature continuously variable

- \* Flexible connection hoses 3/8"
- \* QuickInstallation - Fastening via threaded connection with locking screws
- \* Mounting hole size ø35 mm
- \* Scope of delivery:
  - KWC pop-up valve Z.538.581.000

### Technical Data

Flow rate
Pop-up_valve
Connection
Spout
Handling
Color code
Installation_type
Faucet_typ
Dimension Height
G_Acoustic group
Projection_A
Energy Label
Dimension Water outlet
material

5,8 l/min (3 bar)
with pop-up valve
Flexible connection hoses
fixed
top lever
chrome
Pillar installation
Lever mixer
163
I
A 115
A
80
Brass

