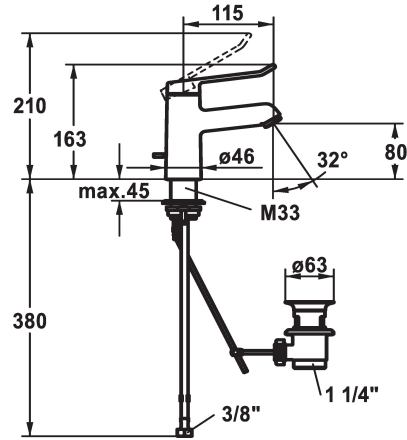


## KWC VITA 2.0 Lever mixer - Basin

Modell-Linie: VITA 2.0 | 12.518.041.000FL  
Kranar | Hydraulické armatúry



### KWC-No.

**125212**  
chromeline, A 120, flexible connection hoses, with pop-up valve

**125213**  
chromeline, A 120, flexible connection hoses, without pop-up valve

- \* Lever mixer
- \* EcoProtect - water-saving device
- \* Fixed spout
- Neoperl® Perlator® laminar
- \* KWC cartridge with safety device M 35 OP
- with ceramic discs
- flow rate and temperature continuously variable

- \* Flexible connection hoses 3/8"
- \* QuickInstallation - Fastening via threaded connection with locking screws
- \* Mounting hole size  $\varnothing 35$  mm
- \* Scope of delivery:
- KWC pop-up valve Z.538.581.000

### Technical Data

|                             |
|-----------------------------|
| A_Spout_Spray               |
| ATT-KWC-ABLAUFGARNITUR      |
| Connection                  |
| ATT-KWC-AUSLAUF             |
| Handling                    |
| ATT-KWC-FARBCODE            |
| Installation_type           |
| Faucet_typ                  |
| Measure_Height              |
| G_Acoustic group            |
| Projection_A                |
| EnergyLabelCH               |
| ATT-KWC-MASS-WASSERAUSTRITT |
| Material                    |

|                            |
|----------------------------|
| 5,8 l/min (3 bar)          |
| mit_Ablaufgarnitur         |
| Flexible_Anschlusschläuche |
| fest                       |
| topbedient                 |
| chromeline                 |
| Standmontage               |
| Hebelmischer               |
| 163                        |
| I                          |
| A115                       |
| A                          |
| 80                         |
| Mässing                    |

