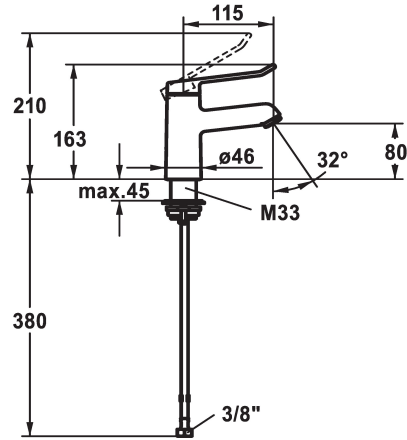


KWC VITA 2.0 Lever mixer - Basin

Modell-Linie: VITA 2.0 | 12.518.051.000FL
Taps | Manual taps



KWC-No.

125212
chromeline, A 120, flexible connection hoses, with pop-up valve

125213
chromeline, A 120, flexible connection hoses, without pop-up valve

- * Lever mixer
- * EcoProtect - water-saving device
- * Fixed spout
 - Neoperl® Perlator® laminar
- * KWC cartridge with safety device M 35 OP
- with ceramic discs

- flow rate and temperature continuously variable
- * Flexible connection hoses 3/8"
- * QuickInstallation - Fastening via threaded connection with locking screws
- * Mounting hole size ø35 mm

Technical Data

Flow rate
pop-up valve
Connection
Spout
Handling
Color code
Installation type
Faucet_typ
Measure Height
Acoustic group
Projection A
Energy label
Dimension Water outlet
material

5,8 l/min (3 bar)
without pop-up valve
Flexible connection hoses
fixed
top lever
chromeline
Pillar installation
Lever mixer
163
I
A 115
A
80
Brass

