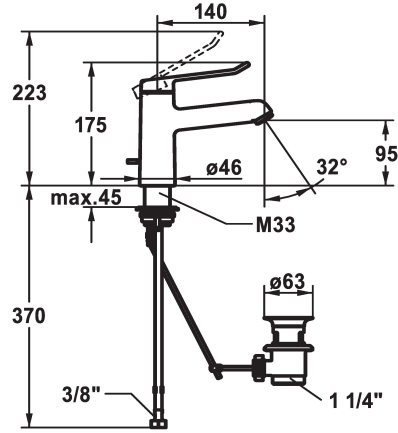


KWC VITA 2.0 Lever mixer - Basin

Modell-Linie: VITA 2.0 | 12.518.042.000FL
Taps | Manual taps



KWC-No.

125214

chromeline, A 140, flexible connection hoses, with pop-up valve

125215

chromeline, A 140, flexible connection hoses, without pop-up valve

- * Lever mixer
- * EcoProtect - water-saving device
- * Fixed spout
 - Neoperl® Perlator® laminar
- * KWC cartridge with safety device M 35 OP
 - with ceramic discs
 - flow rate and temperature continuously variable

- * Flexible connection hoses 3/8"
- * QuickInstallation - Fastening via threaded connection with locking screws
- * Mounting hole size ø35 mm
- * Scope of delivery:
 - KWC pop-up valve Z.538.581.000

Technical Data

| |
|------------------------|
| Flow rate |
| pop-up assembly |
| Connection |
| Spout |
| Handling |
| Color code |
| Installation type |
| Faucet_typ |
| Dimension Height |
| Acoustic group |
| Projection A |
| Energy label |
| Dimension Water outlet |
| material |

| |
|---------------------------|
| 5,8 l/min (3 bar) |
| with pop-up valve |
| Flexible connection hoses |
| fixed |
| top lever |
| chromeline |
| Pillar installation |
| Lever mixer |
| 175 |
| I |
| A 140 |
| A |
| 95 |
| Brass |

