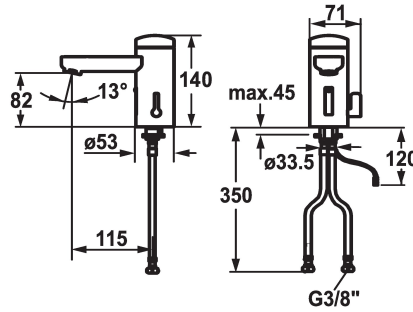


## KWC IQUA

Automatic, non-contact - Basin

Modell-Linie: IQUA | 12.696.061.000

Taps | Self closing taps



### KWC-No.

#### 125259

chromeline, A 115, flexible connection hose, without pop-up valve, battery, Basic, with mixing

#### 125260

chromeline, A 115, flexible connection hose, without pop-up valve, mains receiver, Basic, with mixing

- \* Automatic controled design
- \* Infrared sensor L10
- \* With mixing
  - temperature limiter adjustable
- \* EcoProtect - water-saving device
- \* Basic: counter-sunk iqua-click
- \* Microprocessor-control
  - flow time adjustable (1 second factory setting)
  - short time off (cleaning) activatable
  - continuous water flow (filling) activatable
  - sensor sensitivity adjustable permanent, automatic self-calibration
  - 12- or 24-hour-hygiene flushing activatable

### Power supply

battery

mains receiver

- \* Fixed spout
  - Neoperl® Cascade®
- \* Electrovalve
- \* Flexible connection hoses 3/8"
- \* Fastening by means of stud bolt M8 x 1
- \* Mounting hole size ø35 mm
- \* Scope of delivery:
  - Battery 6 V Lithium CRP2
  - lifespan at 100 circuits/day: 4 years
- 3 Avoid using infrared controls near highly reflective surfaces (e.g. mirrors, polished stainless steel basins) as this could cause them to activate accidentally or malfunction.

### Technical Data

Flow rate
pop-up assembly
Electronical control
Connection
Spout
IQUA-Click
Power supply
Color code
Installation type
Faucet_typ
Dimension Height
Acoustic group
Projection A
Energy label
Dimension Water outlet
material

6 l/min (3 bar)
without pop-up valve
Automatic, non-contact
Flexible connection hose
fixed
Basic, with mixing
battery
chromeline
Pillar installation
Electronic
140
I
A 115
A
82
Brass

