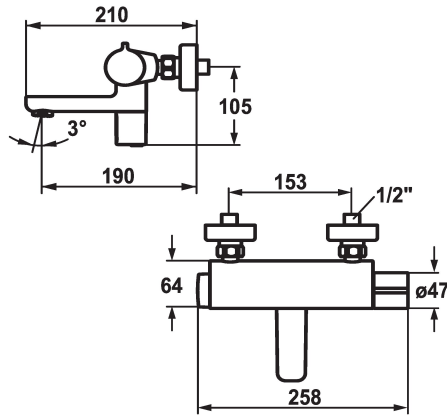
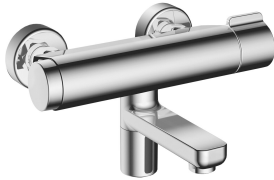


## KWC IQUA

Thermostatic mixer - Automatic, non-contact - Basin

Modell-Linie: IQUA | 11.692.083.000

Valves | Thermostatic mixing valve



### KWC-No.

#### 125261

chromeline, AD 153, A 200, battery

#### 125323

chromeline, AD 153, A 200, without wall connections, battery

- \* Automatic controled design
- \* Infrared sensor thermostatico W35
- \* SkinProtect - Safety stop prevents scalding
- \* Microprocessor-control
- flow time adjustable (1 second factory setting)
- short time off (cleaning) activatable
- continuous water flow (filling) activatable
- sensor sensitivity adjustable permanent, automatic self-calibration
- 12- or 24-hour-hygiene flushing activatable

- \* Fixed spout
- Neoperl® Cascade®
- \* Electrovalve
- \* Wall connections 1/2" x 1/2", with shut-off valve L 40
- \* Scope of delivery:
- Battery 6 V Lithium CRP2
- lifespan at 100 circuits/day; 4 years
- 3 Avoid using infrared controls near highly reflective surfaces (e.g. mirrors, polished stainless steel basins) as this could cause them to activate accidentally or malfunction.

### Technical Data

Electronical control
Spout
Power supply
Color code
Installation type
Faucet_typ
Measure Height
Acoustic group
Projection A
Energy label
Connection measure
Dimension Water outlet
material

Non-contact thermostat
fixed
battery
chromeline
Wall mounted
Electronic
60
I
A 200
B
153
70
Brass

