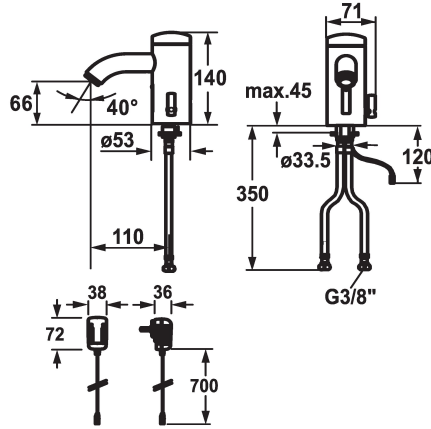


## KWC IQUA

Automatic, non-contact - Basin

Modell-Linie: IQUA | 12.696.081.000

Hanot | Itsulkeutuvat hanot



### KWC-No.

#### 125279

chromeline, A 115, flexible connection hose, without pop-up valve, battery, Basic, with mixing

#### 125280

chromeline, A 115, flexible connection hose, without pop-up valve, mains receiver, Basic, with mixing

- \* Automatic controled style
- \* Infrared sensor L10
- \* With mixing
  - temperature limiter adjustable
- \* EcoProtect - water-saving device
- \* Basic: counter-sunk iqua-click
- \* Microprocessor-control
  - flow time adjustable (1 second factory setting)
  - short time off (cleaning) activatable
  - continuous water flow (filling) activatable
  - sensor sensitivity adjustable permanent, automatic self-calibration
  - 12- or 24-hour-hygiene flushing activatable

### Tekniset tiedot

A\_Spout\_Spray

ATT-KWC-ABLAUFGARNITUR

ATT-KWC-EL\_STEUERUNG

Connection

Spout

ATT-KWC-IQUA\_CLICK

ATT-KWC-STROMVERSORGUNG

ATT-KWC-FARBCODE

Installation\_type

Faucet\_typ

Measure\_Height

G\_Acoustic group

Projection\_A

EnergyLabelCH

ATT-KWC-MASS-WASSERAUSTRITT

Materiali

IviCode

### ATT-KWC-STROMVERSORGUNG

Batterie

Netz AP

- \* Fixed spout
  - Neoperl® Cascade®
- \* Electrovalve
- \* Flexible connection hoses 3/8"
- \* Fastening by means of stud bolt M8 x 1
- \* Mounting hole size ø35 mm
- \* Scope of delivery:
  - Battery 6 V Lithium CRP2
  - lifespan at 100 circuits/day; 4 years
- 3 Avoid using infrared controls near highly reflective surfaces (e.g. mirrors, polished stainless steel basins) as this could cause them to activate accidentally or malfunction.

6 l/min (3 bar)

ohne\_Ablaufgarnitur

berührungslos

Flexibler\_Anschluss Schlauch

Kiinnitety

yes

Batterie

chromeline

Standmontage

06

140

yes

A110

A

66

Messinki

0

