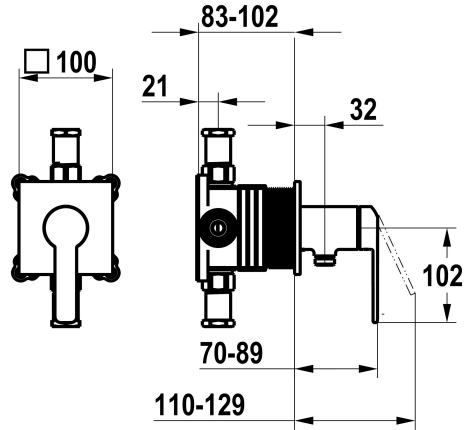


KWC DOMO 6.0

Trim kit, with safety device DIN EN 1717 – Lever mixer – Shower

Modell-Linie: DOMO 6.0 | 21.664.550.000

Duschar | Hydraulické sprchy



KWC-No.

125290

chromeline, trim kit, with safety device DIN EN 1717

NEW

* Trim kit with function unit KWC HOMEBOX

* Outflow

- with integrated hose connection

* KWC cartridge M 35-S HF

- with ceramic discs

- flow rate and temperature continuously variable

* Scope of delivery:

- Lever mixer unit - with integrated hose connection

- Fastening of the cover plate without screws

* To be ordered separately:

- Unit for concealed installation KWC HOMEBOX Lever mixer 1

Consumers 39.006.251.931

Technical Data

ATT-KWC-A_ABGANG_UP

Diameter

Handling

ATT-KWC-FARBCODE

Installation_type

Faucet_typ

G_Acoustic group

ATT-KWC-UNTERPUTZ

EnergyLabelCH

Material

16 l/min (3bar)

100x100

frontbedient

chromeline

Väggmontering

Hebelmischer

I

FM-Set mit SI

C

Mässing



Reservdelar



Cartridge M 35-S HF

537602



KWC DOMO 6.0

Trim kit, with safety device DIN EN 1717 – Lever mixer – Shower

Modell-Linie: DOMO 6.0 | 21.664.550.000

Duschar | Hydraulické sprchy

Z.537.602
