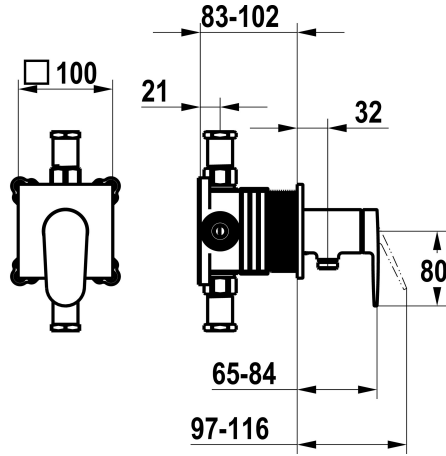


KWC ELLA

Trim kit, with safety device DIN EN 1717 – Lever mixer – Shower

Modell-Linie: ELLA | 21.384.550.000

Armatura natryskowa | Armatura z zaworami obsługiwanymi ręcznie



KWC-No.

125292

chromeline, trim kit, with safety device DIN EN 1717

NEW

- * Trim kit with function unit KWC HOMEBOX
- * Outflow
 - with integrated hose connection
- * KWC cartridge M 35-S HF
 - with ceramic discs
 - flow rate and temperature continuously variable

- * Scope of delivery:
 - Lever mixer unit - with integrated hose connection
 - Fastening of the cover plate without screws
- * To be ordered separately:
 - Unit for concealed installation KWC HOMEBOX Lever mixer 1 Consumers 39.006.251.931

Dane techniczne

ATT-KWC-A_ABGANG_UP

średnicy

Handling

ATT-KWC-FARBCODE

Installation_type

Faucet_typ

G_Acoustic group

ATT-KWC-UNTERPUTZ

EnergyLabelCH

Materiał

16 l/min (3bar)

100x100

frontbedient

chromeline

Montaż naścienny

Hebelmischer

I

FM-Set mit SI

C

Mosiądz



Części zamienne



Cartridge M 35-S HF

537602



KWC ELLA

Trim kit, with safety device DIN EN 1717 – Lever mixer – Shower

Modell-Linie: ELLA | 21.384.550.000

Armatura natryskowa | Armatura z zaworami obsługiwanymi ręcznie

Z.537.602
