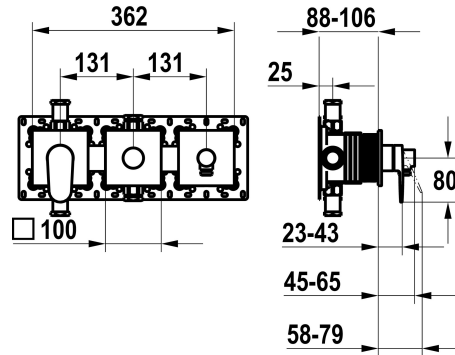


KWC ELLA

Trim kit, with safety device DIN EN 1717 – Lever mixer – Tub

Modell-Linie: ELLA | 20.384.550.000

Armatura natryskowa | Baterie wannowe



KWC-No.

125296

chromeline, trim kit, with safety device DIN EN 1717

NEW

* Trim kit with function unit KWC HOMEBOX

* Outflow

- with integrated hose connection

- above or below for the second consumer with CHOICE diverter without automatic reset

* KWC cartridge M 35-S HF

- with ceramic discs

- flow rate and temperature continuously variable

* Scope of delivery:

- Lever mixer unit

- Diverter unit

- Hose connection unit

- Fastening of the cover plate without screws

* To be ordered separately:

- Unit for concealed installation KWC HOMEBOX Thermostatic/ lever mixer 2 consumers 39.006.261.931

Dane techniczne

ATT-KWC-A_ABGANG_UP
ATT-KWC-A_BRAUSENABGANG
średnicy
Handling
ATT-KWC-FARBCODE
Installation_type
Faucet_typ
G_Acoustic group
ATT-KWC-UNTERPUTZ
ATT-KWC-G_BRAUSENABGANG
EnergyLabelCH
Material

19.2 l/min (3bar)
15.2 l/min (3bar)
362x100
frontbedient
chromeline
Montaz naścienny
Hebelmischer
II
FM-Set mit SI
I
C
Mosiądz



Części zamienne





KWC ELLA

Trim kit, with safety device DIN EN 1717 – Lever mixer – Tub

Modell-Linie: ELLA | 20.384.550.000

Armatura natryskowa | Baterie wannowe

Cartridge M 35-S HF

537602

Z.537.602
