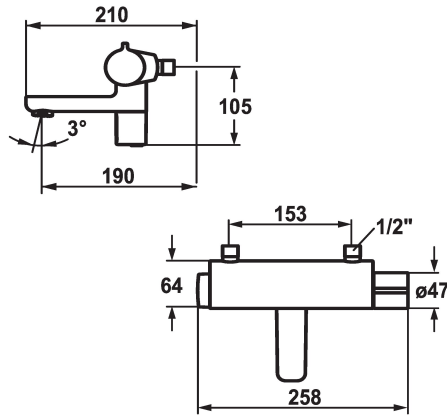


KWC IQUA

Thermostatic mixer - Automatic, non-contact - Basin

Modell-Linie: IQUA | 11.692.083.0000R



KWC-No.

125261

chromeline, AD 153, A 200, battery

125323

chromeline, AD 153, A 200, without wall connections, battery

- * Automatic controled design
- * Infrared sensor thermostatico W35
- * SkinProtect - Safety stop prevents scalding
- * Microprocessor-control
- flow time adjustable (1 second factory setting)
- short time off (cleaning) activatable
- continuous water flow (filling) activatable
- sensor sensitivity adjustable permanent, automatic self-calibration
- 12- or 24-hour-hygiene flushing activatable

- * Fixed spout
- Neoperl® Cascade®
- * Electrovalve
- * Scope of delivery:
- Battery 6 V Lithium CRP2
- lifespan at 100 circuits/day: 4 years
- 3 Avoid using infrared controls near highly reflective surfaces (e.g. mirrors, polished stainless steel basins) as this could cause them to activate accidentally or malfunction.

Dane techniczne

ATT-KWC-EL_STEUERUNG

Connection

ATT-KWC-AUSLAUF

ATT-KWC-STROMVERSORGUNG

ATT-KWC-FARBCODE

Installation_type

Faucet_typ

G_Acoustic group

Projection_A

EnergyLabelCH

Connection measure

3

ohne_Raccords

1

1

chromeline

2

06

1

A200

B

AD02

