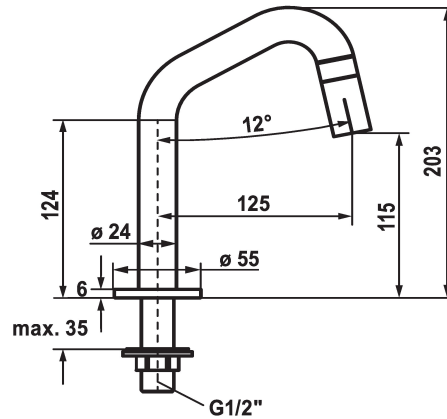


## KWC STANDVENTIL Vertical shut-off valve

Modell-Linie: **STANDVENTIL** | 25.001.011.700  
Taps | Manual taps



### KWC-No.

**125328**  
stainless steel, A 125, G 1/2"

**125329**  
industrial black, A 125, G 1/2"

### Color code

stainless steel

industrial black

- \* Vertical shut-off valve
- \* Operating handle integrated into the spout
- \* Fixed spout
- Neoperl® Caché®

- \* Ceramic disc valve 1/2" 90°
- \* Connecting thread 1/2"
- \* Mounting hole size ø22mm or ø35mm

### Technical Data

Flow rate	5 l/min (3 bar)
Connection	G 1/2"
Handling	front lever
Color code	stainless steel
Installation type	Pillar installation
Faucet_typ	Vertical shut-off valve
Design	J-Spout
Measure Height	203
Acoustic group	I
Projection A	A 125
Energy label	A

Flow rate	5 l/min (3 bar)
Connection	G 1/2"
Handling	front lever
Color code	stainless steel
Installation type	Pillar installation
Faucet_typ	Vertical shut-off valve
Design	J-Spout
Measure Height	203
Acoustic group	I
Projection A	A 125
Energy label	A



### Spare Parts





**KWC** STANDVENTIL  
Vertical shut-off valve

**Modell-Linie: STANDVENTIL | 25.001.011.700**  
Taps | Manual taps

**Service key Neoperl © Caché ©, JR, 21  
mm, red**

---

**639017**  
Z.635.215

---