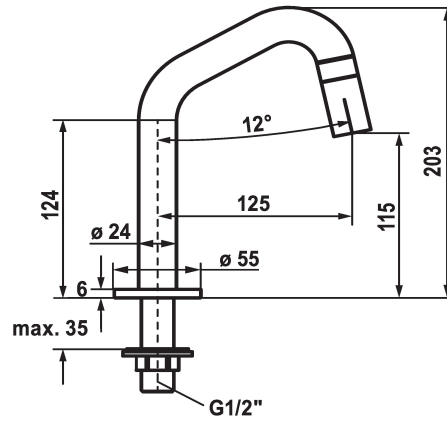


KWC STANDVENTIL Vertical shut-off valve

Modell-Linie: STANDVENTIL | 25.001.011.751
Taps | Manual taps



KWC-No.

125328
stainless steel, A 125, G 1/2"

125329
industrial black, A 125, G 1/2"

- * Vertical shut-off valve
- * Operating handle integrated into the spout
- * Fixed spout
- Neoperl® Caché®

Color code

stainless steel

industrial black

- * Ceramic disc valve 1/2" 90°
- * Connecting thread 1/2"
- * Mounting hole size ø22mm or ø35mm

Technical Data

Flow rate
Connection
Handling
Color code
Installation_type
Faucet_typ
Design
Dimension Height
Acoustic group
Projection_A
Energy Label

5 l/min (3 bar)
G 1/2"
front lever
industrial black
Pillar installation
Spray, Swirl- & Mix spray1
J-Spout
203
Basic, with mixing1
A 125
A

