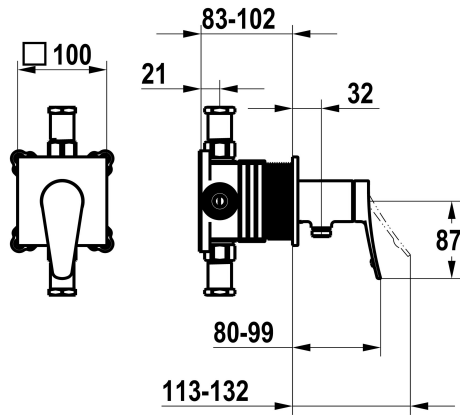


## KWC ACTIVO

Trim kit, with safety device DIN EN 1717 – Lever mixer – Shower

Modell-Linie: ACTIVO | 21.404.550.000  
Suihkut ja suihkupaneelit | Manuaali suihkut



### KWC-No.

**125332**  
chromeline, trim kit, with safety device DIN EN 1717

NEW

- \* Trim kit with function unit KWC HOMEBOX
- \* Outflow
  - with integrated hose connection
- \* KWC cartridge M 35-S HF
  - with ceramic discs
  - flow rate and temperature continuously variable

- \* Scope of delivery:
  - Lever mixer unit with integrated hose connection
  - Fastening of the cover plate without screws
- \* To be ordered separately:
  - Unit for concealed installation KWC HOMEBOX Lever mixer 1 Consumers 39.006.251.931

### Tekniset tiedot

ATT-KWC-A_ABGANG_UP
Halkaisija
Handling
ATT-KWC-FARBCODE
Installation_type
Faucet_typ
G_Acoustic group
ATT-KWC-UNTERPUTZ
EnergyLabelCH
Materiaali
IviCode

16 l/min (3 bar)
100x100
frontbedient
chromeline
Seinäasennus
Hebelmischer
I
FM-Set mit SI
C
Messinki
0



### Varaosat





## KWC ACTIVO

Trim kit, with safety device DIN EN 1717 – Lever mixer – Shower

**Modell-Linie: ACTIVO | 21.404.550.000**

Suihkut ja suihkupaneelit | Manuaali suihkut

### Cartridge M 35-S HF

---

**537602**

Z.537.602

---