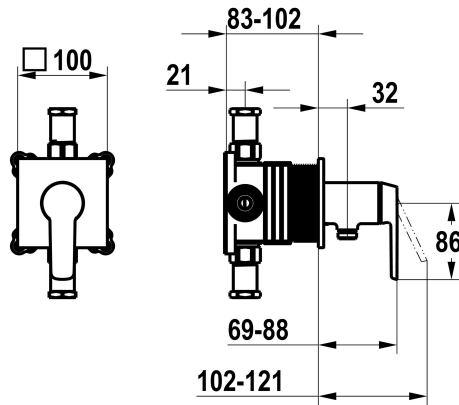


KWC MONTA

Trim kit, with safety device DIN EN 1717 – Lever mixer – Shower

Modell-Linie: MONTA | 21.414.550.000

Armatura natryskowa | Armatura z zaworami obsługiwanymi ręcznie



KWC-No.

125333

chromeline, trim kit, with safety device DIN EN 1717

NEW

* Trim kit with function unit KWC HOMEBOX

* Outflow

- with integrated hose connection

* KWC cartridge M 35-S HF

- with ceramic discs

- flow rate and temperature continuously variable

* Scope of delivery:

- Lever mixer unit - with integrated hose connection

- Fastening of the cover plate without screws

* To be ordered separately:

- Unit for concealed installation KWC HOMEBOX Lever mixer 1

Consumers 39.006.251.931

Dane techniczne

ATT-KWC-A_ABGANG_UP

średnicy

Handling

ATT-KWC-FARBCODE

Installation_type

Faucet_typ

G_Acoustic group

ATT-KWC-UNTERPUTZ

EnergyLabelCH

Materiał

16 l/min (3 bar)

100x100

frontbedient

chromeline

Montaż naścienny

Hebelmischer

I

FM-Set mit SI

C

Mosiądz



Części zamienne



Cartridge M 35-S HF

537602



KWC MONTA

Trim kit, with safety device DIN EN 1717 – Lever mixer – Shower

Modell-Linie: MONTA | 21.414.550.000

Armatura natryskowa | Armatura z zaworami obsługiwanymi ręcznie

Z.537.602
