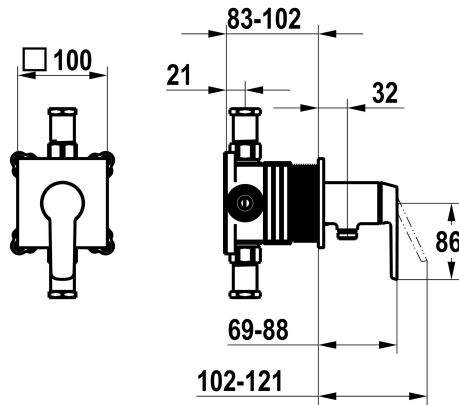


## KWC MONTA

Trim kit, with safety device DIN EN 1717 – Lever mixer – Shower

Modell-Linie: MONTA | 21.414.550.000

Duschar | Hydraulické sprchy



### KWC-No.

**125333**

chromeline, trim kit, with safety device DIN EN 1717

- \* Trim kit with function unit KWC HOMEBOX
- \* Outflow
  - with integrated hose connection
- \* KWC cartridge M 35-S HF
  - with ceramic discs
  - flow rate and temperature continuously variable

- \* Scope of delivery:
  - Lever mixer unit - with integrated hose connection
  - Fastening of the cover plate without screws
- \* To be ordered separately:
  - Unit for concealed installation KWC HOMEBOX Lever mixer 1 Consumers 39.006.251.931

NEW

### Technical Data

ATT-KWC-A\_ABGANG\_UP

Diameter

Handling

ATT-KWC-FARBCODE

Installation\_type

Faucet\_typ

G\_Acoustic group

ATT-KWC-UNTERPUTZ

EnergyLabelCH

Material

16 l/min (3 bar)

100x100

frontbedient

chromeline

Väggmontering

Hebelmischer

I

FM-Set mit SI

C

Mässing



### Reservdelar



Cartridge M 35-S HF

**537602**



## **KWC** MONTA

Trim kit, with safety device DIN EN 1717 – Lever mixer – Shower

**Modell-Linie: MONTA | 21.414.550.000**  
Duschar | Hydraulické sprchy

Z.537.602

---