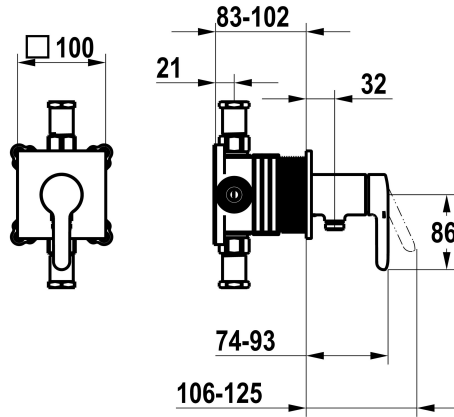


## KWC WAMAS 2.0

Trim kit, with safety device DIN EN 1717 – Lever mixer – Shower

Modell-Linie: WAMAS 2.0 | 21.474.550.000

Suihkut ja suihkupaneelit | Manuaali suihkut



### KWC-No.

**125334**

chromeline, trim kit, with safety device DIN EN 1717

NEW

\* Trim kit with function unit KWC HOMEBOX

\* Outflow

- with integrated hose connection

\* KWC cartridge M 35-S HF

- with ceramic discs

- flow rate and temperature continuously variable

\* Scope of delivery:

- Lever mixer unit - with integrated hose connection

- Fastening of the cover plate without screws

\* To be ordered separately:

- Unit for concealed installation KWC HOMEBOX Lever mixer 1

Consumers 39.006.251.931

### Tekniset tiedot

ATT-KWC-A\_ABGANG\_UP

16 l/min (3 bar)

ATT-KWC-A\_BRAUSENABGANG

16 l/min (3 bar)

Halkaisija

100x100

Handling

frontbedient

ATT-KWC-FARBCODE

chromeline

Installation\_type

Seinäasennus

Faucet\_typ

Hebelmischer

G\_Acoustic group

I

ATT-KWC-UNTERPUTZ

FM-Set mit SI

EnergyLabelCH

C

Materiaali

Messinki

lviCode

0



### Varaosat





## **KWC** WAMAS 2.0

Trim kit, with safety device DIN EN 1717 – Lever mixer – Shower

**Modell-Linie: WAMAS 2.0 | 21.474.550.000**  
Suihkut ja suihkupaneelit | Manuaali suihkut

### **Cartridge M 35-S HF**

---

**537602**  
Z.537.602

---