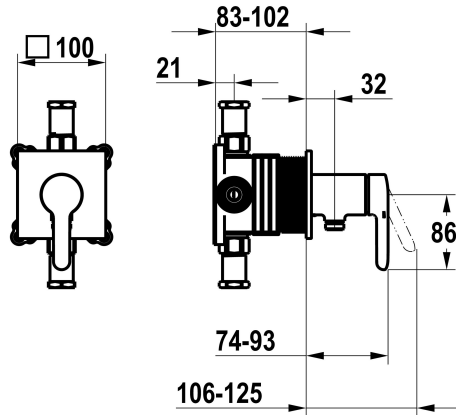


KWC WAMAS 2.0

Trim kit, with safety device DIN EN 1717 – Lever mixer – Shower

Modell-Linie: WAMAS 2.0 | 21.474.550.000

Armatura natryskowa | Armatura z zaworami obsługiwanymi ręcznie



KWC-No.

125334

chromeline, trim kit, with safety device DIN EN 1717

NEW

* Trim kit with function unit KWC HOMEBOX

* Outflow

- with integrated hose connection

* KWC cartridge M 35-S HF

- with ceramic discs

- flow rate and temperature continuously variable

* Scope of delivery:

- Lever mixer unit - with integrated hose connection

- Fastening of the cover plate without screws

* To be ordered separately:

- Unit for concealed installation KWC HOMEBOX Lever mixer 1

Consumers 39.006.251.931

Dane techniczne

ATT-KWC-A_ABGANG_UP

16 l/min (3 bar)

ATT-KWC-A_BRAUSENABGANG

16 l/min (3 bar)

średnicy

100x100

Handling

frontbedient

ATT-KWC-FARBCODE

chromeline

Installation_type

Montaż naścienny

Faucet_typ

Hebelmischer

G_Acoustic group

I

ATT-KWC-UNTERPUTZ

FM-Set mit SI

EnergyLabelCH

C

Materiał

Mosiądz



Części zamienne





KWC WAMAS 2.0

Trim kit, with safety device DIN EN 1717 – Lever mixer – Shower

Modell-Linie: WAMAS 2.0 | 21.474.550.000

Armatura natryskowa | Armatura z zaworami obsługiwanymi ręcznie

Cartridge M 35-S HF

537602

Z.537.602
