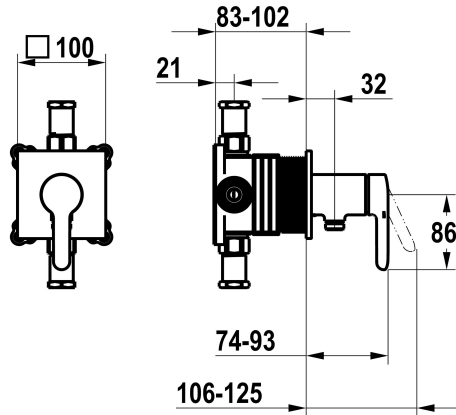


KWC WAMAS 2.0

Trim kit, with safety device DIN EN 1717 – Lever mixer – Shower

Modell-Linie: WAMAS 2.0 | 21.474.550.000

Duschar | Hydraulické sprchy



KWC-No.

125334

chromeline, trim kit, with safety device DIN EN 1717

NEW

- * Trim kit with function unit KWC HOMEBOX
- * Outflow
 - with integrated hose connection
- * KWC cartridge M 35-S HF
 - with ceramic discs
 - flow rate and temperature continuously variable

- * Scope of delivery:
 - Lever mixer unit - with integrated hose connection
 - Fastening of the cover plate without screws
- * To be ordered separately:
 - Unit for concealed installation KWC HOMEBOX Lever mixer 1 Consumers 39.006.251.931

Technical Data

ATT-KWC-A_ABGANG_UP

16 l/min (3 bar)

ATT-KWC-A_BRAUSENABGANG

16 l/min (3 bar)

Diameter

100x100

Handling

frontbedient

ATT-KWC-FARBCODE

chromeline

Installation_type

Väggmontering

Faucet_typ

Hebelmischer

G_Acoustic group

I

ATT-KWC-UNTERPUTZ

FM-Set mit SI

EnergyLabelCH

C

Material

Mässing



Reservdelar





KWC WAMAS 2.0

Trim kit, with safety device DIN EN 1717 – Lever mixer – Shower

Modell-Linie: WAMAS 2.0 | 21.474.550.000
Duschar | Hydraulické sprchy

Cartridge M 35-S HF

537602
Z.537.602
