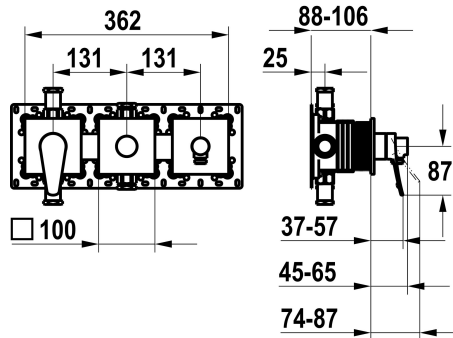


KWC ACTIVO

Trim kit, with safety device DIN EN 1717 – Lever mixer – Tub

Modell-Linie: ACTIVO | 20.404.550.000
Duschar | Badkarsarmaturer



KWC-No.

125335
chromeline, trim kit, with safety device DIN EN 1717

- * Trim kit with function unit KWC HOMEBOX
- * Outflow
 - with integrated hose connection
 - above or below for the second consumer with CHOICE diverter without automatic reset
- * KWC cartridge M 35-S HF
 - with ceramic discs
 - flow rate and temperature continuously variable

- * Scope of delivery:
 - Lever mixer unit
 - Diverter unit
 - Hose connection unit
 - Fastening of the cover plate without screws
- * To be ordered separately:
 - Unit for concealed installation KWC HOMEBOX Thermostatic/ lever mixer 2 consumers 39.006.261.931



Technical Data

ATT-KWC-A_ABGANG_UP
ATT-KWC-A_BRAUSENABGANG
Diameter
Handling
ATT-KWC-FARBCODE
Installation_type
Faucet_typ
G_Acoustic group
ATT-KWC-UNTERPUTZ
ATT-KWC-G_BRAUSENABGANG
EnergyLabelCH
Material

19.2 l/min (3bar)
15.3 l/min (3bar)
362x100
frontbedient
chromeline
Väggmontering
Hebelmischer
II
FM-Set mit SI
I
C
Mässing



Reservdelar





KWC ACTIVO

Trim kit, with safety device DIN EN 1717 – Lever mixer – Tub

Modell-Linie: ACTIVO | 20.404.550.000
Duschar | Badkarsarmaturen

Cartridge M 35-S HF

537602
Z.537.602
