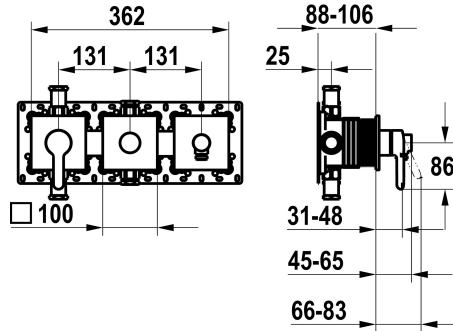


## KWC WAMAS 2.0

Trim kit, with safety device DIN EN 1717 – Lever mixer – Tub

Modell-Linie: WAMAS 2.0 | 20.474.550.000

Showers | Exposed bath mixer



### KWC-No.

**125337**

chromeline, trim kit, with safety device DIN EN 1717

NEW

\* Trim kit with function unit KWC HOMEBOX

\* Outflow

- with integrated hose connection

- above or below for the second consumer with CHOICE diverter without automatic reset

\* KWC cartridge M 35-S HF

- with ceramic discs

- flow rate and temperature continuously variable

\* Scope of delivery:

- Lever mixer unit

- Diverter unit

- Hose connection unit

- Fastening of the cover plate without screws

\* To be ordered separately:

- Unit for concealed installation KWC HOMEBOX Thermostatic/ lever mixer 2 consumers 39.006.261.931

### Technical Data

Flow rate	19.2 l/min (3bar)
Spray outlet: Flow rate	15.2 l/min (3bar)
Diameter	362 x 100
Handling	front lever
Color code	chrome
Installation_type	Wall mounted
Faucet_typ	Lever mixer
G_Acoustic group	II
Concealed_unit	Trim kit, with vacuum breaker
G_Acoustic group_Shower_outlet	I
Energy Label	C
material	Brass

Flow rate	19.2 l/min (3bar)
Spray outlet: Flow rate	15.2 l/min (3bar)
Diameter	362 x 100
Handling	front lever
Color code	chrome
Installation_type	Wall mounted
Faucet_typ	Lever mixer
G_Acoustic group	II
Concealed_unit	Trim kit, with vacuum breaker
G_Acoustic group_Shower_outlet	I
Energy Label	C
material	Brass



### Spare Parts





## **KWC** WAMAS 2.0

Trim kit, with safety device DIN EN 1717 – Lever mixer – Tub

**Modell-Linie: WAMAS 2.0 | 20.474.550.000**  
Showers | Exposed bath mixer

### **Cartridge M 35-S HF**

---

**537602**  
Z.537.602

---