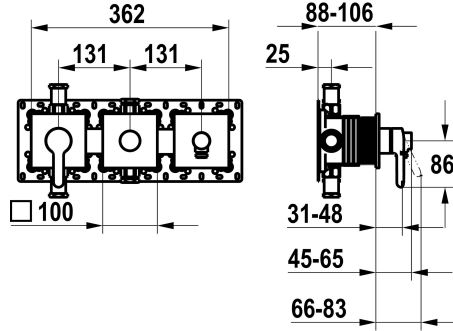


KWC WAMAS 2.0

Trim kit, with safety device DIN EN 1717 – Lever mixer – Tub

Modell-Linie: WAMAS 2.0 | 20.474.550.000

Showers | Exposed bath mixer



KWC-No.

125337

chromeline, trim kit, with safety device DIN EN 1717

NEW

* Trim kit with function unit KWC HOMEBOX

* Outflow

- with integrated hose connection

- above or below for the second consumer with CHOICE diverter without automatic reset

* KWC cartridge M 35-S HF

- with ceramic discs

- flow rate and temperature continuously variable

* Scope of delivery:

- Lever mixer unit

- Diverter unit

- Hose connection unit

- Fastening of the cover plate without screws

* To be ordered separately:

- Unit for concealed installation KWC HOMEBOX Thermostatic/ lever mixer 2 consumers 39.006.261.931

Technical Data

Flow rate	19.2 l/min (3bar)
Spray outlet: Flow rate	15.2 l/min (3bar)
Diameter	362 x 100
Handling	front lever
Color code	chromeline
Installation type	Wall mounted
Faucet_typ	Lever mixer
Acoustic group	II
Concealed unit	Trim kit, with vacuum breaker
Spray outlet: Acoustic group	I
Energy label	C
material	Brass

Flow rate	19.2 l/min (3bar)
Spray outlet: Flow rate	15.2 l/min (3bar)
Diameter	362 x 100
Handling	front lever
Color code	chromeline
Installation type	Wall mounted
Faucet_typ	Lever mixer
Acoustic group	II
Concealed unit	Trim kit, with vacuum breaker
Spray outlet: Acoustic group	I
Energy label	C
material	Brass



Spare Parts





KWC WAMAS 2.0

Trim kit, with safety device DIN EN 1717 – Lever mixer – Tub

Modell-Linie: WAMAS 2.0 | 20.474.550.000
Showers | Exposed bath mixer

Cartridge M 35-S HF

537602
Z.537.602
