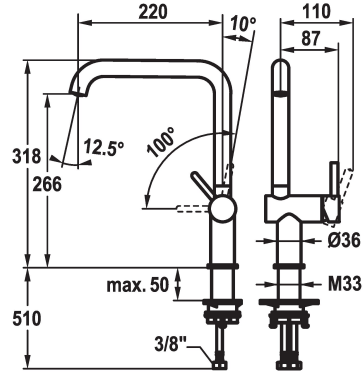


## KWC BEVO E Lever mixer - Kitchen

Modell-Linie: BEVO E | 10.531.012.700FL  
Taps | Manual taps



### KWC-No.

**125346**  
stainless steel, A 220, flexible connection hoses

**125347**  
industrial black, A 220, flexible connection hoses

### Color code

stainless steel

industrial black

NEW

- \* Lever mixer
- \* Lever installation only possible on the right side
- Child safety: cold water flow in lever position towards the front
- \* TouchProtect - anti-scald protection thanks to the "double skin" principle
- \* Swivel spout 150°
- Neoperl® Caché® laminar
- \* OptimalSpace - ample space for washing or working

- \* KWC cartridge S 25
- with ceramic discs
- flow rate and temperature continuously variable
- \* Flexible connection hoses 3/8"
- \* QuickInstallation - Fastening via threaded connection with locking screws
- \* Mounting hole size ø35 mm

### Technical Data

Spray: Flow rate

6.4 l/min (3 bar)

Connection

Flexible connection hoses

Spout

swivel

Handling

side lever

Color code

stainless steel

Installation\_type

Pillar installation

Faucet\_typ

Lever mixer

Dimension Height

318

G\_Acoustic group

I

Projection\_A

A 220

Energy Label

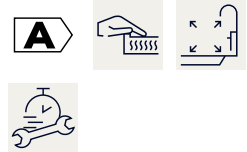
A

Dimension Water outlet

266

material

stainless steel



### Spare Parts

**KWC BEVO E**  
Lever mixer - Kitchen

**Modell-Linie: BEVO E | 10.531.012.700FL**  
Taps | Manual taps



**Service key Neoperl © Caché ©, JR, 21  
mm, red**

---

**639017**  
Z.635.215

---