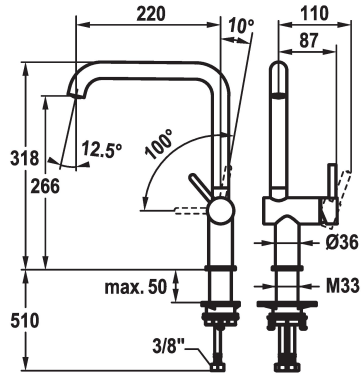


## KWC BEVO E Lever mixer - Kitchen

Modell-Linie: BEVO E | 10.531.012.700FL  
Kranar | Hydraulické armatúry



### KWC-No.

**125346**  
stainless steel, A 220, flexible connection hoses

**125347**  
industrial black, A 220, flexible connection hoses

- \* Lever mixer
- \* Lever installation only possible on the right side
- Child safety: cold water flow in lever position towards the front
- \* TouchProtect - anti-scald protection thanks to the "double skin" principle
- \* Swivel spout 150°
- Neoperl® Caché® laminar
- \* OptimalSpace - ample space for washing or working

### ATT-KWC-FARBCODE

stainless steel

industrial black

- \* KWC cartridge S 25
- with ceramic discs
- flow rate and temperature continuously variable
- \* Flexible connection hoses 3/8"
- \* QuickInstallation - Fastening via threaded connection with locking screws
- \* Mounting hole size ø35 mm

NEW

### Technical Data

A\_Spray (kitchen)

Connection

ATT-KWC-AUSLAUF

Handling

ATT-KWC-FARBCODE

Installation\_type

Faucet\_typ

Measure\_Height

G\_Acoustic group

Projection\_A

EnergyLabelCH

ATT-KWC-MASS-WASSERAUSTRITT

Material

6.4 l/min (3 bar)

Flexible\_Anschlusschläuche

schwenkbar

seitenbedient

stainless steel

Standmontage

01

318

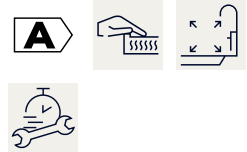
1

A220

A

266

ROSTFREIER\_STAHL



### Reservdelar

## KWC BEVO E Lever mixer - Kitchen

Modell-Linie: BEVO E | 10.531.012.700FL  
Kranar | Hydraulické armatury



Service key Neoperl © Caché ©, JR, 21  
mm, red

---

**639017**  
Z.635.215

---