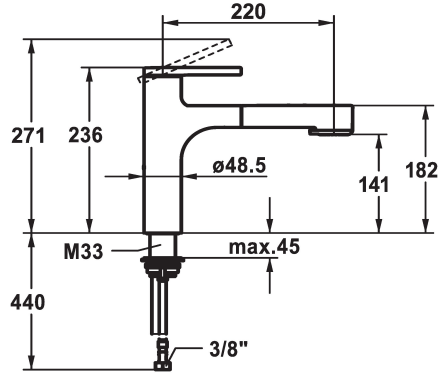


KWC AVA 2.0 Lever mixer - Kitchen

Modell-Linie: AVA 2.0 | 10.461.032.177FL
Taps | Manual taps



KWC-No.

125364
chromeline, A 220, flexible connection hoses

125365
matt black, A 220, flexible connection hoses

125366
brushed steel, A 220, flexible connection hoses

Color code

chrome

matt black

brushed steel

- * TouchProtect - anti-scald protection thanks to the "double skin" principle
- * Intrinsicly safe against backflow
- * Pull-out spray
 - SprayClean - easy to clean and actively prevents limescale buildup
 - up to 600 mm pull-out length
 - TripleClean - Normal, soft, and power stream modes
 - hose surface to fit faucet surface
 - QuickConnect - Simple hose connection system

- * Hose guide, swivelling 120°
- * EasyLock - a pull-out spray that easily slides back into place
- * KWC cartridge M 35 S
 - with ceramic discs
 - flow rate and temperature continuously variable
 - temperature limitation
- * Flexible connection hoses 3/8"
- * QuickInstallation - Fastening via threaded connection with locking screws
- * Mounting hole size ø35 mm

Technical Data

Flow rate needle spray

9 l/min (3 bar)

Flow rate normal spray

8 l/min (3 bar)

Connection

Flexible connection hoses

Spout

swivel

Handling

top lever

Kitchen_spray

Pull-out spray

Color code

brushed steel

Installation_type

Pillar installation

Faucet_typ

Lever mixer

Dimension Height

236

G_Acoustic group

I

Projection_A

A 220

Energy Label

B

Dimension Water outlet

141

material

Brass

