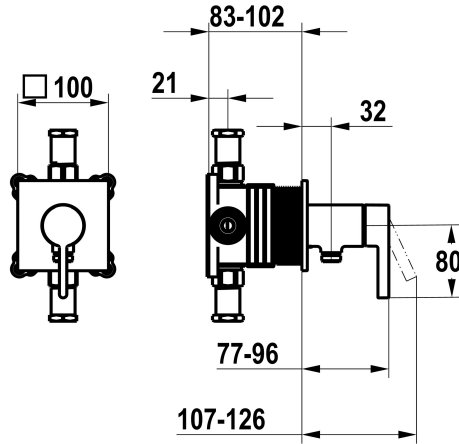


## KWC FIT

Trim kit, with safety device DIN EN 1717 – Lever mixer – Shower

Modell-Linie: FIT | 21.544.550.000  
Showers | Manual shower



### KWC-No.

**125434**  
chromeline, trim kit, with safety device DIN EN 1717

NEW

- \* Trim kit with function unit KWC HOMEBOX
- \* Outflow
  - with integrated hose connection
- \* KWC cartridge M 35-S HF
  - with ceramic discs
  - flow rate and temperature continuously variable

- \* Scope of delivery:
  - Lever mixer unit - with integrated hose connection
  - Fastening of the cover plate without screws
- \* To be ordered separately:
  - Unit for concealed installation KWC HOMEBOX Lever mixer 1 Consumers 39.006.251.931

### Technical Data

Flow rate
Diameter
Handling
Color code
Installation_type
Faucet_typ
G_Acoustic group
Concealed_unit
Energy Label
material

16 l/min (3 bar)
100 x 100
front lever
chrome
Wall mounted
Lever mixer
I
Trim kit, with vacuum breaker
C
Brass

### Spare Parts



### Cartridge M 35-S HF

**537602**



**KWC FIT**

Trim kit, with safety device DIN EN 1717 – Lever mixer – Shower

**Modell-Linie: FIT | 21.544.550.000**  
Showers | Manual shower

Z.537.602

---