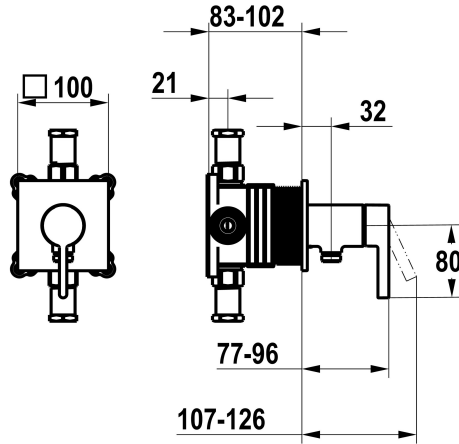


## KWC FIT

Trim kit, with safety device DIN EN 1717 – Lever mixer – Shower

Modell-Linie: FIT | 21.544.550.000

Armatura natryskowa | Armatura z zaworami obsługiwany ręcznie



### KWC-No.

**125434**

chromeline, trim kit, with safety device DIN EN 1717

NEW

\* Trim kit with function unit KWC HOMEBOX

\* Outflow

- with integrated hose connection

\* KWC cartridge M 35-S HF

- with ceramic discs

- flow rate and temperature continuously variable

\* Scope of delivery:

- Lever mixer unit - with integrated hose connection

- Fastening of the cover plate without screws

\* To be ordered separately:

- Unit for concealed installation KWC HOMEBOX Lever mixer 1

Consumers 39.006.251.931

### Dane techniczne

ATT-KWC-A\_ABGANG\_UP

16 l/min (3 bar)

średnicy

100x100

Handling

frontbedient

ATT-KWC-FARBCODE

chromeline

Installation\_type

Montaż naścienny

Faucet\_typ

Hebelmischer

G\_Acoustic group

I

ATT-KWC-UNTERPUTZ

FM-Set mit SI

EnergyLabelCH

C

Materiał

Mosiądz

### Części zamienne



Cartridge M 35-S HF

**537602**



## **KWC FIT**

Trim kit, with safety device DIN EN 1717 – Lever mixer – Shower

**Modell-Linie: FIT | 21.544.550.000**

Armatura natryskowa | Armatura z zaworami obsługiwanymi ręcznie

Z.537.602

---