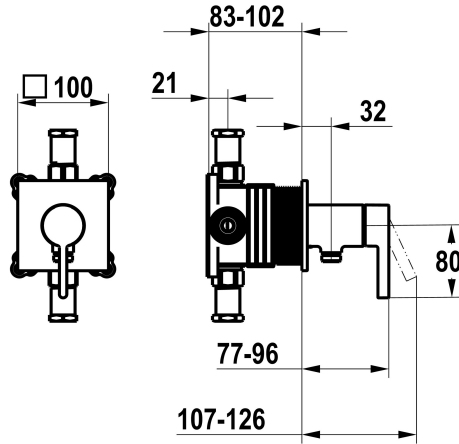


KWC FIT

Trim kit, with safety device DIN EN 1717 – Lever mixer – Shower

Modell-Linie: FIT | 21.544.550.000

Duschar | Hydraulické sprchy



KWC-No.

125434

chromeline, trim kit, with safety device DIN EN 1717

NEW

* Trim kit with function unit KWC HOMEBOX

* Outflow

- with integrated hose connection

* KWC cartridge M 35-S HF

- with ceramic discs

- flow rate and temperature continuously variable

* Scope of delivery:

- Lever mixer unit - with integrated hose connection

- Fastening of the cover plate without screws

* To be ordered separately:

- Unit for concealed installation KWC HOMEBOX Lever mixer 1

Consumers 39.006.251.931

Technical Data

ATT-KWC-A_ABGANG_UP

16 l/min (3 bar)

Diameter

100x100

Handling

frontbedient

ATT-KWC-FARBCODE

chromeline

Installation_type

Väggmontering

Faucet_typ

Hebelmischer

G_Acoustic group

I

ATT-KWC-UNTERPUTZ

FM-Set mit SI

EnergyLabelCH

C

Material

Mässing

Reservdelar



Cartridge M 35-S HF

537602



KWC FIT

Trim kit, with safety device DIN EN 1717 – Lever mixer – Shower

Modell-Linie: FIT | 21.544.550.000
Duschar | Hydraulické sprchy

Z.537.602
