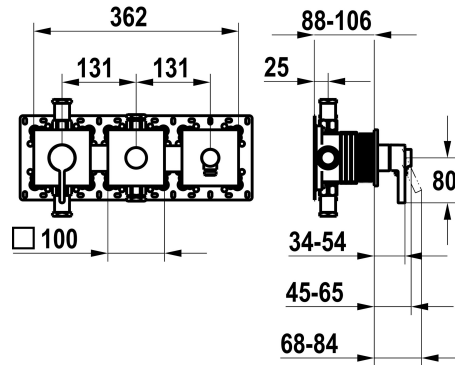


KWC FIT

Trim kit, with safety device DIN EN 1717 – Lever mixer – Tub

Modell-Linie: FIT | 20.544.550.000

Sprchové armatury | Vanové armatury



KWC-No.

125435

chromeline, trim kit, with safety device DIN EN 1717

* Trim kit with function unit KWC HOMEBOX

* Outflow

- with integrated hose connection

- above or below for the second consumer with CHOICE diverter without automatic reset

* KWC cartridge M 35-S HF

- with ceramic discs

- flow rate and temperature continuously variable

* Scope of delivery:

- Lever mixer unit

- Diverter unit

- Hose connection unit

- Fastening of the cover plate without screws

* To be ordered separately:

- Unit for concealed installation KWC HOMEBOX Thermostatic/ lever mixer 2 consumers 39.006.261.931

Technické údaje

ATT-KWC-A_ABGANG_UP	19.2 l/min (3 bar)
ATT-KWC-A_BRAUSENABGANG	15.2 l/min (3 bar)
ATT-KWC-DURCHMESSER	362x100
Handling	frontbedient
ATT-KWC-FARBCODE	chromeline
Installation_type	montáž na stěnu
Faucet_typ	Hebelmischer
G_Acoustic group	II
ATT-KWC-UNTERPUTZ	FM-Set mit SI
ATT-KWC-G_BRAUSENABGANG	I
EnergyLabelCH	C
Materiál	mosaz

Náhradní díly





KWC FIT

Trim kit, with safety device DIN EN 1717 – Lever mixer – Tub

Modell-Linie: FIT | 20.544.550.000

Sprchové armatury | Vanové armatury

Cartridge M 35-S HF

537602

Z.537.602
