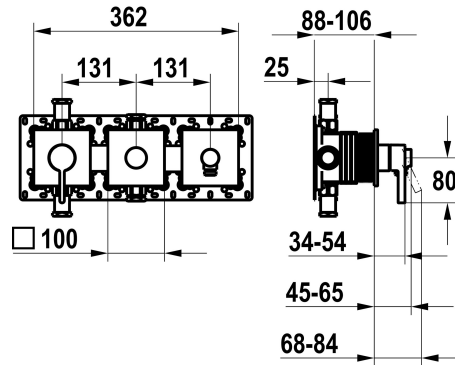


## KWC FIT

Trim kit, with safety device DIN EN 1717 – Lever mixer – Tub

Modell-Linie: FIT | 20.544.550.000  
Duschar | Badkarsarmaturer



### KWC-No.

**125435**

chromeline, trim kit, with safety device DIN EN 1717

\* Trim kit with function unit KWC HOMEBOX

\* Outflow

- with integrated hose connection

- above or below for the second consumer with CHOICE diverter without automatic reset

\* KWC cartridge M 35-S HF

- with ceramic discs

- flow rate and temperature continuously variable

\* Scope of delivery:

- Lever mixer unit

- Diverter unit

- Hose connection unit

- Fastening of the cover plate without screws

\* To be ordered separately:

- Unit for concealed installation KWC HOMEBOX Thermostatic/ lever mixer 2 consumers 39.006.261.931

### Technical Data

ATT-KWC-A\_ABGANG\_UP

19.2 l/min (3 bar)

ATT-KWC-A\_BRAUSENABGANG

15.2 l/min (3 bar)

Diameter

362x100

Handling

frontbedient

ATT-KWC-FARBCODE

chromeline

Installation\_type

Väggmontering

Faucet\_typ

Hebelmischer

G\_Acoustic group

II

ATT-KWC-UNTERPUTZ

FM-Set mit SI

ATT-KWC-G\_BRAUSENABGANG

I

EnergyLabelCH

C

Material

Mässing

### Reservdelar





## **KWC FIT**

Trim kit, with safety device DIN EN 1717 – Lever mixer – Tub

**Modell-Linie: FIT | 20.544.550.000**  
Duschar | Badkarsarmaturen

### **Cartridge M 35-S HF**

---

**537602**  
Z.537.602

---