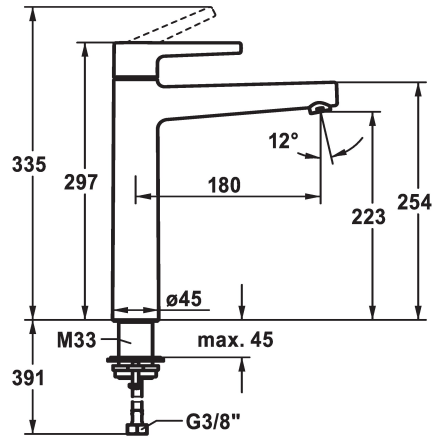
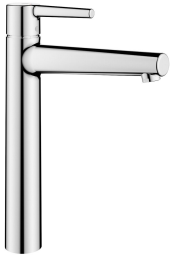


## KWC MANA Lever mixer - Basin

Modell-Linie: MANA | 12.558.093.000FL  
Taps | Manual taps



### KWC-No.

**125527**

chromeline, A 180, flexible connection hoses, without pop-up valve

- \* Lever mixer
- \* EcoProtect - water-saving device
- \* Fixed spout
- Neoperl® Perlator® SSR, swivelling jet regulator
- \* OptimalSpace - ample space for washing or working
- \* KWC cartridge M 35 OP

- with ceramic discs
- flow rate and temperature continuously variable
- \* Flexible connection hoses 3/8"
- \* QuickInstallation - Fastening via threaded connection with locking screws
- \* Mounting hole size ø35 mm

### Technical Data

Flow rate	5 l/min (3 bar)
pop-up valve	2
Connection	Flexible connection hoses
Spout	fixed
Handling	yes
Color code	chromeline
Installation type	for top-mounted sinks
Faucet_typ	Basin1
Measure Height	297
Acoustic group	yes
Projection A	A 180
Dimension Water outlet	223

Flow rate	5 l/min (3 bar)
pop-up valve	2
Connection	Flexible connection hoses
Spout	fixed
Handling	yes
Color code	chromeline
Installation type	for top-mounted sinks
Faucet_typ	Basin1
Measure Height	297
Acoustic group	yes
Projection A	A 180
Dimension Water outlet	223



### Spare Parts





**KWC** MANA  
Lever mixer - Basin

**Modell-Linie: MANA | 12.558.093.000FL**  
Taps | Manual taps

**Cartridge M 35 OP**

---

**538331**  
Z.537.710

---