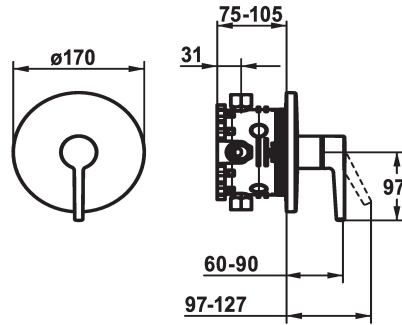


KWC MANA Trim kit - Lever mixer - Shower

Modell-Linie: MANA | 21.554.500.000

Armatura natryskowa | Armatura z zaworami obsługiwanymi ręcznie



KWC-No.

125533

chromeline, Trim kit

- * Trim kit with function unit
- * Outflow top and below
- * Turning handle for diverter
- * KWC cartridge M 35 H
- with ceramic discs
- flow rate and temperature continuously variable
- * Scope of delivery:

- Function unit, lever, cap, sleeve, cover plate, holder for escutcheon, diverter
- Fastening of the cover plate without screws
- * To be ordered separately:
- Unit for concealed installation KWC BLUEBOX®
- ½", without shut-off valve, 39.999.900.931
- ¾" (½"), with shut-off valve, 39.999.910.931

Dane techniczne

ATT-KWC-A_ABGANG_UP

średnicy

Handling

ATT-KWC-FARBCODE

Installation_type

Faucet_typ

G_Acoustic group

ATT-KWC-UNTERPUTZ

Materiał

19 l/min (3 bar)

D170

frontbedient

chromeline

Montaż naścienny

01

1

FM-Set

Mosiądz

Części zamienne



Cartridge M 35 H

538327



KWC MANA

Trim kit - Lever mixer - Shower

Modell-Linie: MANA | 21.554.500.000

Armatura natryskowa | Armatura z zaworami obsługiwanymi ręcznie

Z.537.582
