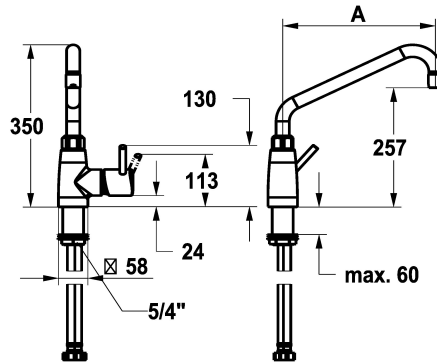


## KWC GASTRO E

Lever mixer – Commercial kitchen

Modell-Linie: GASTRO E | 24.561.044.700FL

Taps | Manual taps



### KWC-No.

**125565**

stainless steel, A 300, flexible connection hoses

- \* Lever mixer
- \* Swivel spout 360°
- with adjustable gland
- Jet regulator
- \* OptimalSpace - ample space for washing or working
- \* KWC cartridge XL 46 - high capacity
- with ceramic discs

- flow rate and temperature continuously variable
- temperature limitation
- \* Flexible connection hoses 1/2" with transition to 3/4"
- \* Fastening by means of threaded sleeve 1 3/4"
- \* Mounting hole size ø42 mm
- \* To be ordered separately:
- Base 100 mm Z.539.000.700 or 300 mm Z.539.001.700

NEW

### Technical Data

|                        |
|------------------------|
| Flow rate              |
| Connection             |
| Spout                  |
| Handling               |
| Color code             |
| Installation type      |
| Faucet_typ             |
| Measure Height         |
| Acoustic group         |
| Projection A           |
| Dimension Water outlet |
| material               |

|                           |
|---------------------------|
| 32.4 l/min (3 bar)        |
| Flexible connection hoses |
| swivel                    |
| side lever                |
| stainless steel           |
| Pillar installation       |
| Faucet                    |
| 350                       |
| 2                         |
| A 300                     |
| 257                       |
| stainless steel           |

