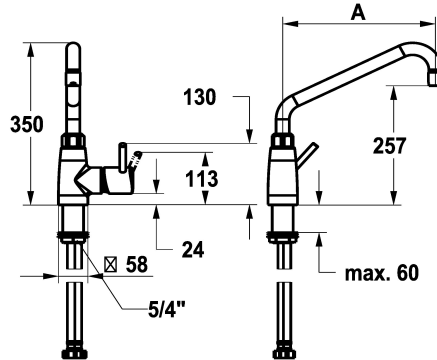


## KWC GASTRO E

Lever mixer – Commercial kitchen

Modell-Linie: GASTRO E | 24.561.046.700FL

Taps | Manual taps



### KWC-No.

**125566**

stainless steel, A 450, flexible connection hoses

- \* Lever mixer
- \* Swivel spout 360°
- with adjustable gland
- Jet regulator
- \* OptimalSpace - ample space for washing or working
- \* KWC cartridge XL 46 - high capacity
- with ceramic discs

- flow rate and temperature continuously variable
- temperature limitation
- \* Flexible connection hoses 1/2" with transition to 3/4"
- \* Fastening by means of threaded sleeve 1 3/4"
- \* Mounting hole size  $\varnothing 42$  mm
- \* To be ordered separately:
- Base 100 mm Z.539.000.700 or 300 mm Z.539.001.700

NEW

### Technical Data

Flow rate
Connection
Spout
Handling
Color code
Installation_type
Faucet_typ
Dimension Height
G_Acoustic group
Projection_A
Dimension Water outlet
material

32.4 l/min (3 bar)
Flexible connection hoses
swivel
side lever
stainless steel
Pillar installation
Lever mixer
350
II
A 450
257
stainless steel

