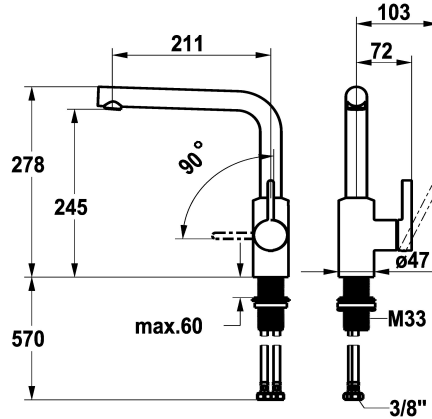


KWC FIT Lever mixer – Kitchen

Modell-Linie: FIT | 10.541.012.176FL
Taps | Manual taps



KWC-No.

125574
chromeline, A 210, flexible connection hoses

125575
matt black, A 210, flexible connection hoses

- * Lever mixer
- * Lever installation only possible on the right side
- Child safety: cold water flow in lever position towards the front
- * gap between wall and centre of mounting hole min. 25 mm
- * Swivel spout 150°
- Neoperl® Cascade® SLC
- * OptimalSpace - ample space for washing or working
- * KWC cartridge M 35 S

Color code

chrome

matt black

- with ceramic discs
- flow rate and temperature continuously variable
- temperature limitation
- * Flexible connection hoses 3/8"
- * QuickInstallation - Fastening via threaded connection with locking screws
- * Mounting hole size ø35 mm

NEW

Technical Data

| |
|------------------------|
| Flow rate |
| Connection |
| Spout |
| Handling |
| Color code |
| Installation_type |
| Faucet_typ |
| Design |
| Dimension Height |
| Acoustic group |
| Projection_A |
| Energy Label |
| Dimension Water outlet |
| material |

| |
|---------------------------|
| 7.6 l/min (3 bar) |
| Flexible connection hoses |
| swivel |
| side lever |
| matt black |
| Pillar installation |
| Needle spray1 |
| L-Spout |
| 278 |
| Basic, with mixing1 |
| A 205 |
| A |
| 245 |
| Brass |

